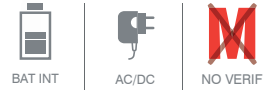


## Crane scale

Crane scale with capacities from 1000 kg to 15000 kg, small and robust

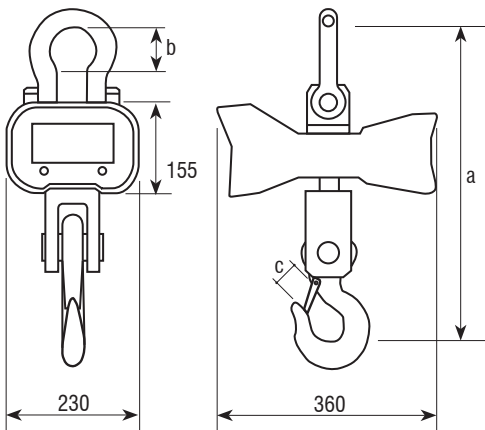


**FEATURES:**

- Aluminum framework.
- LED red display with 5 digits of 30 mm.
- Intensity adjustment.
- Swinging Load cell.
- Power supply with adaptor AC/DC 230-240Vac 50-60Hz.
- Interior rechargeable battery 6V/5Ah. It lasts 50 hours.
- Easy change of battery.
- Control of functions, calibration and switch off by remote control.
- Maximum distance of the remote control: 10 m.
- Units: kg.
- Alarm for weight overload.
- Standby and auto disconnection.
- According to the directive of security of the machine 2006/42/CE.

**FUNCTIONS:**

- Accumulation
- Total
- Zero
- Tare



Dimensions (mm)	a	b	c	Net weight (kg)
260539	420	65	35	12
260542	600	80	45	14
260543	730	100	55	24
260540	850	120	70	44
260541	900	140	70	60

Code #	Capacity (kg)	Readout (kg)	n Divisions	Packing dimensions (mm)	Packing weight (kg)
260539	1000	500	2000	440x300x410	18
260542	3000	1000	3000	440x300x420	20
260543	5000	2000	2500	440x300x440	31
260540	10000	5000	2000	600x280x470	47
260541	15000	5000	3000	920x300x470	64

Certifications	
ENAC	
Code #	
900003	
900004	
900045	
	consult
	consult